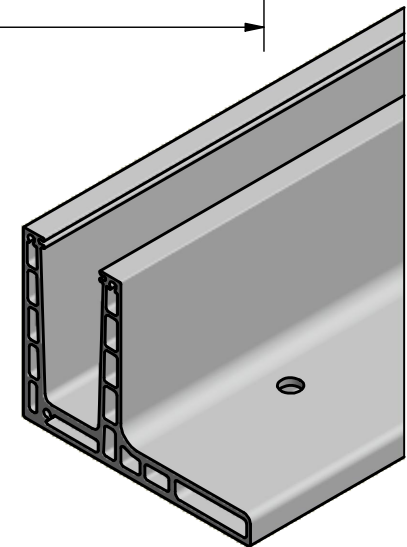


3D view



		Scale: 1 : 2	Weight: 47,7 kg		Rev. No.:									
		Material: Aluminium		Finish: Anodized										
<small>THIS DRAWING IS PROPERTY OF Q-RAILING EUROPE GmbH & Co KG ALL RIGHTS RESERVED. It may not be submitted for perusal to third parties, either whole nor partly, unless granted. It is not permitted to alter this drawing unauthorised, in any way.</small>		Product line: EASY GLASS PRIME												
<table border="1"> <tr> <td></td> <td>Date</td> <td>Name</td> </tr> <tr> <td>Drawn</td> <td>27.09.2019</td> <td>LMR</td> </tr> <tr> <td>Checked</td> <td>03.09.2021</td> <td>AIG</td> </tr> </table>			Date	Name	Drawn	27.09.2019	LMR	Checked	03.09.2021	AIG	Description: Base Shoe Top F			
	Date	Name												
Drawn	27.09.2019	LMR												
Checked	03.09.2021	AIG												
General tolerance according		Drawing no.:		Project:										
		CD-168420-050-00-18		Archiv no.: CD-16696250018										
				Sheet: 1 / 1										
				A4										